

## T20—Tension Link



### FEATURES

- Capacities 5—20Te
- Sealed to IP68.
- Tension use.
- Accuracy 0.05% RO.

### APPLICATIONS

- Lifting devices.
- Process Control.
- Hanging Scales.

## DESCRIPTION

The T-TL-T20 provides a simple device for tension measurement for cranes and other lifting applications. The T20 is produced from stainless steel construction and is a laser welded assembly

The load cell has been designed for lifting applications.

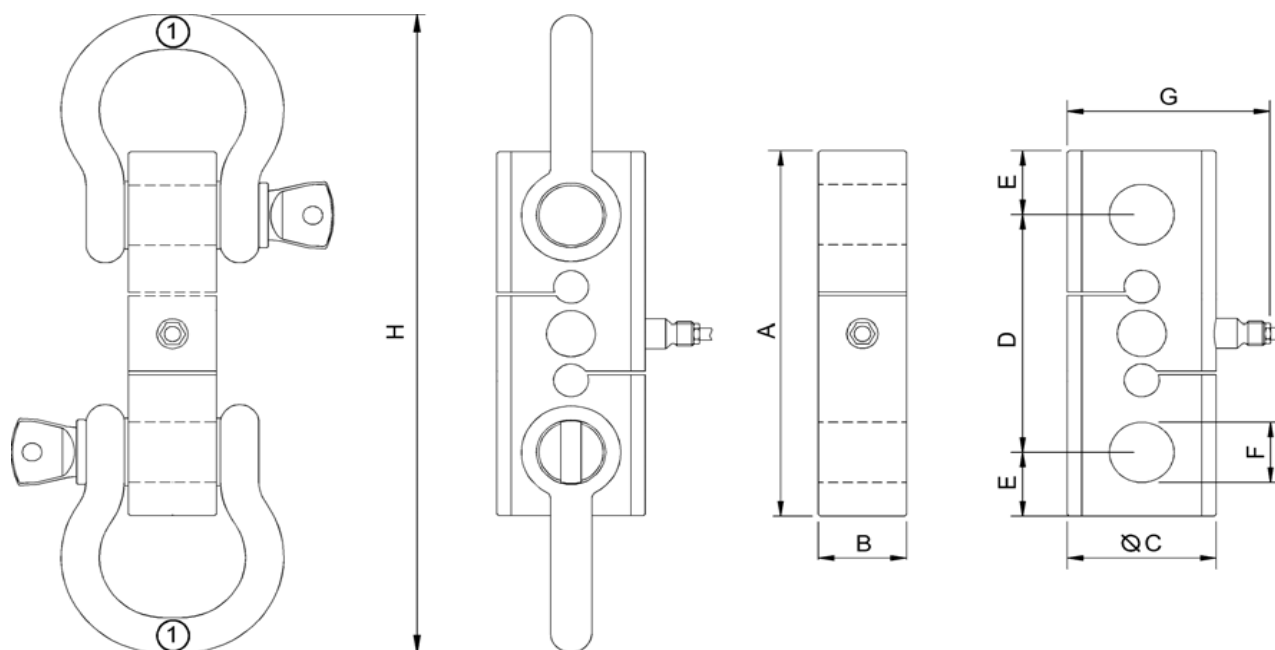
## TYPICAL SPECIFICATION

PARAMETER	VALUE	UNITS
Capacities Range	0.. 5, 7.1, 10, 15, 20.	Te
Rated Output	2.0 ±0.002	mV/V
Linearity & non repeatability	0.019 - 0.023	±% of Rated Output
Zero Return after 30 minutes	0.03	±% of Applied Load
Zero Balance	1.0	±% of Rated Output
Temperature Range: Operating	-20 to +70	°C
Temperature Range: Compensated	-10 to +40	
Temperature Effect: On Output	0.003	±% of Rated Output/°C
Temperature Effect: On zero	0.01	±% of Rated Load/°C
Safe Overload	150	% of Rated Capacity
Ultimate Overload	300	% of Rated Capacity
Excitation: Recommended	10	Volts AC or DC
Excitation: Maximum	15	
Input Impedance	420 ±20	ohm
Output Impedance	350 ±2	ohm
Insulation Resistance	>5	GΩ at 50VDC
Deflection at Rated Capacity	N/A	mm
Weight (approximate) :	N/A	kg
Construction	Stainless Steel	
Environmental Protection	IP68	(100h @ 1m of water)
Cable	5m 4 core screened	

# T20—Tension Link

## OUTLINE DIMENSIONS in millimeters

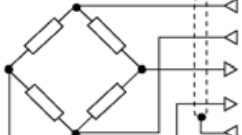
CODE(CLASS C2)	CODE(CLASS C3)	LOAD	A	B	ØC	D	E	*F	G
T205TC25	T205TC35	5Te	200	45	76	130	35	33	103
T207TC25	T207TC35	7.5Te							
T2010TC25	T2010TC35	10Te							
T2015TC25	T2015TC35	15Te	250	54	82	156	47	42.5	109
T2020TC25	T2020TC35	20Te							



NOMINAL LOAD	CODE		ACCESSORIES(optional)	H
5, 7.5, 10Te	CGP419.5T	①	Zinc plated shackles	~434
15, 20Te*	CGP4117T	①	Zinc plated shackles	~566

\*Shackle can't be supplied with security coefficient 5 for 20Te load

## WIRING DETAIL

Dynamometer	OUTPUT	CABLE
	EXCITATION+ EXCITATION - OUTPUT+ OUTPUT- -----	RED BLACK WHITE YELLOW SHIELD

## LOADING MODE

