

615 & 616—Bi-Directional S Type Load Cell



FEATURES

- Capacities 50—1000Kg
- Sealed to IP67.
- Tension & Compression use.
- Accuracy 0.05% RO.

APPLICATIONS

- Test Machines.
- Process Control.
- Small Tanks & Silos.
- Hanging Scales.

DESCRIPTION

The BD-ST-615 and 616 provide a simple measuring device for tension and compression measurement. The 615 is produced from a nickel plated alloy steel and the 616 is produced from stainless steel.

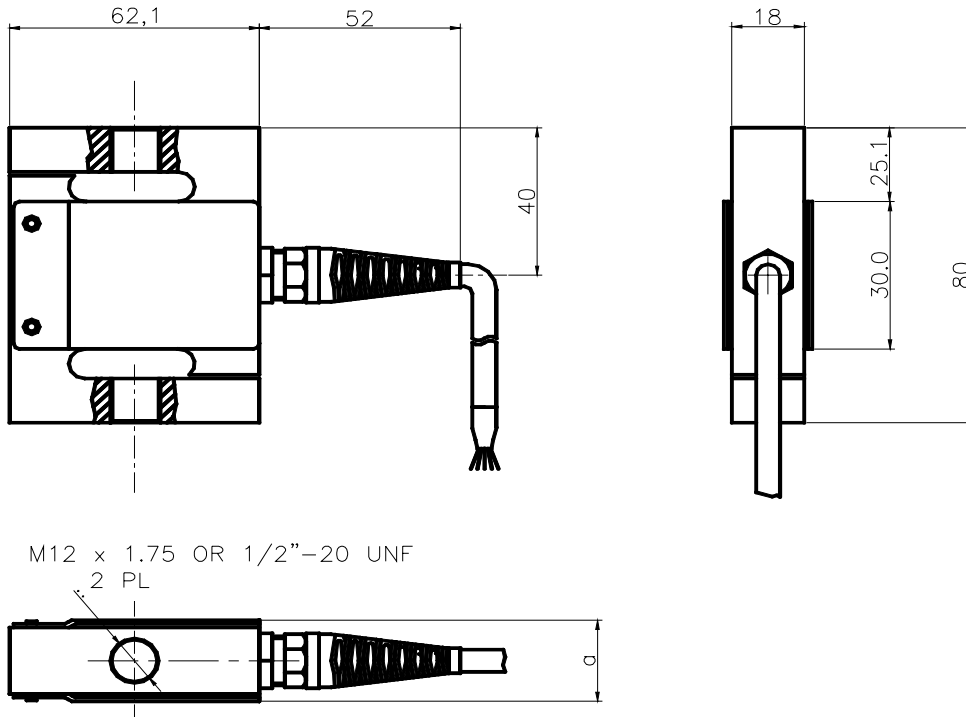
The 615 and 616 S Type have been designed for test rig applications where static and dynamic measurement is required.

TYPICAL SPECIFICATION

PARAMETER	VALUE	UNITS
Capacities Range	0.. 50, 100, 150, 200, 300, 500, 750 & 1000.	kg
Rated Output	2.0 ±0.002	mV/V
Linearity & non repeatability	0.05	±% of Rated Output
Zero Return after 30 minutes	0.05	±% of Applied Load
Zero Balance	1.0	±% of Rated Output
Temperature Range: Operating	-30 to +70	°C
Temperature Range: Compensated	-10 to +40	
Temperature Effect: On Output	0.003	±% of Rated Output/°C
Temperature Effect: On zero	0.01	±% of Rated Load/°C
Safe Overload	150	% of Rated Capacity
Ultimate Overload	300	% of Rated Capacity
Excitation: Recommended	10	Volts AC or DC
Excitation: Maximum	15	
Input Impedance	400 nominal	ohm
Output Impedance	350 nominal	ohm
Insulation Resistance	>2	GΩ at 50VDC
Deflection at Rated Capacity	NA	mm
Weight (approximate) :	0.7	kg
Construction	615 Nickel Plated Alloy Steel 616 Stainless Steel	
Environmental Protection	IP20	
Cable	3m 6 core screened	

615 & 616—Bi-Directional S Type Load Cell

OUTLINE DIMENSIONS in millimeters

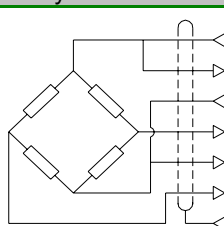


Model	a dim
615	22.0
616	26.0

NOTE: M12 X 1.75P is the standard stocked part.
Model 616 is not available at 50Kg

NOTE: If the dimensions or specification do not suit, PCM have an in-house design and build service that should satisfy your requirements.

WIRING DETAIL

Dynamometer	OUTPUT	CABLE
	EXCITATION+	Blue
	SENSE +	Green
	EXCITATION -	Black
	OUTPUT-	Red
	SENSE -	Grey
OUTPUT+	White	

LOADING MODE

