

New Generation Telemetry 2.4GHz Printer

Introduction



- Thermal printer with 57mm (2.244") paper width
- Up to 32 characters per line
- High speed Printing (30mm/sec)
- Capable of printing data from up to 8 acquisition modules or a T24-HA advanced handheld module.
- 120metre (400 feet) range maximum
- Text and formatting stored within module
- Full error detection and correction
- Simple configuration via PC using a base station with Telemetry Toolkit software



Introduction

The T24-PR1 is a telemetry enabled printer that is capable of printing and summing values from up to 8 acquisition modules. Designed with a wide input voltage range 9-36V this printer module is suitable for in vehicle applications as well as more static applications. Can be supplied with a mains power supply for desktop use.

The printer can be triggered using either software control, a button push or using a T24-HA hand held device. The PC based toolkit allows users to enter up to 8 acquisition module data sources, with an option to sum all 8 components, as well as add text and format the output design.

NOTE: Requires either T24-BSu or T24-BSi for configuration.

Case details

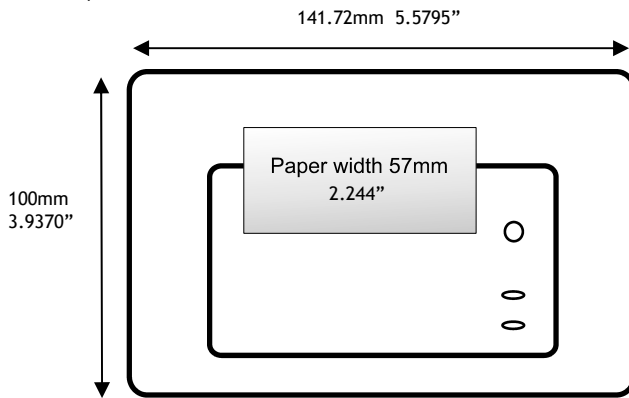
Light grey flame retardant ABS

Associated T24 Products

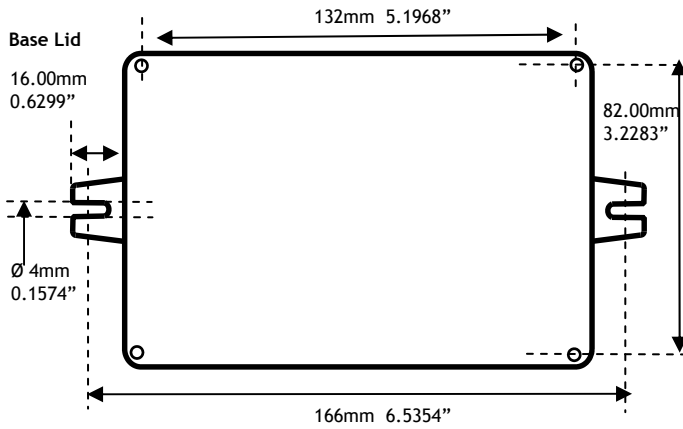
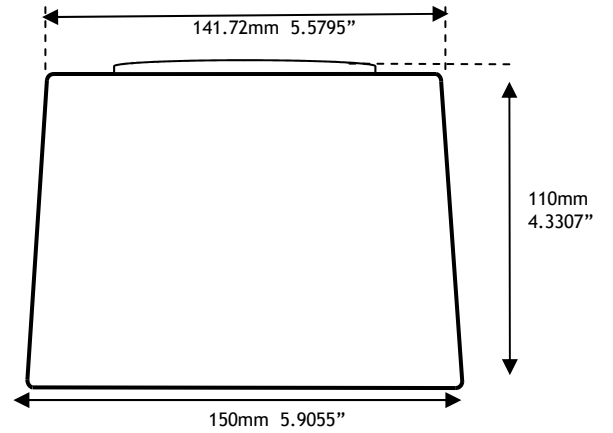
T24-SAi	Strain Gauge Acquisition Module internal antenna	T24-HS	Handheld Reader Simple
T24-SAe	Strain Gauge Acquisition Module with socket for external antenna	T24-HA	Handheld Reader Advanced
T24-VAi	Voltage Acquisition Module internal antenna	T24-BSu	Base Station USB
T24-VAe	Voltage Acquisition Module with socket for external antenna	T24-BSi	Base Station Industrial
T24-IAi	Current Acquisition Module internal antenna	T24-SO	Serial Output
T24-IAe	Current Acquisition Module with socket for external antenna	T24-BC1	Battery Charger
T24-SAfi	'Fast' Strain Gauge Acquisition Module internal antenna	T24-ACM	Single Channel Acquisition Connectivity Module
T24-SAfe	'Fast' Strain Gauge Acquisition Module with socket for external antenna	T24-PR1	Thermal Printer

Mechanical Dimensions

View from Top



View from Side



Approvals



Complies with EMC directive. 2004/108/EC

The Radio Equipment and Telecommunications Terminal Equipment (R&TTE) Directive, 1999/5/EC.



Industry Industrie
Canada Canada

In the interests of continued product development, Procter & Chester Measurements Ltd reserves the right to alter product specifications without prior notice