

## 3510—Shear Beam Load Cell

### FEATURES

- Capacities 300—5000Kg
- Sealed to IP68.
- Stainless Steel construction.
- Accuracy 0.05% RO.

### APPLICATIONS

- Industrial platforms.
- Tanks and silos.
- Process Controls.
- Harsh environments.



### DESCRIPTION

The SB-3510 is a low profile shear beam load cell manufactured from fully welded stainless steel construction. It has high immunity to shock or side loading. The guide slots incorporated into the upper and lower mounting faces enable user to easily position the load cell.

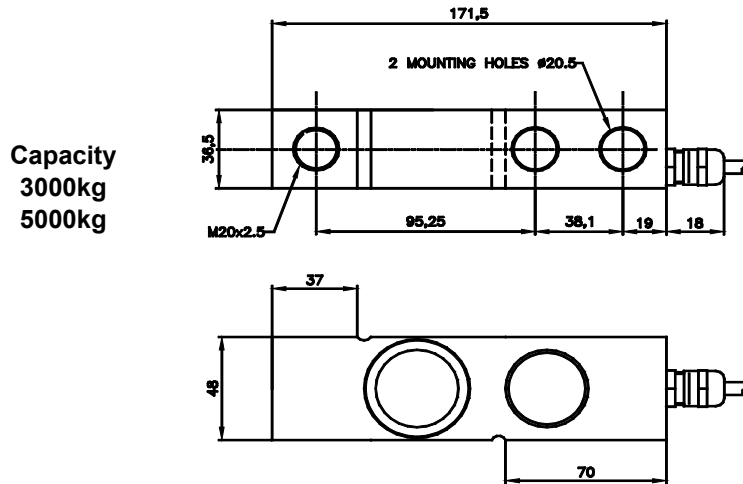
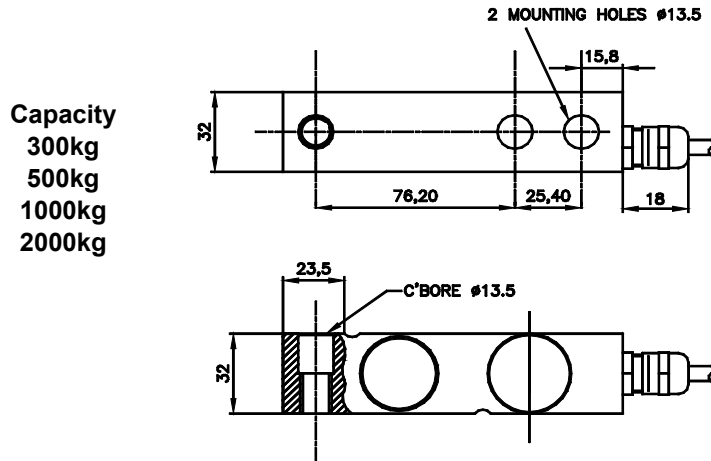
The 3510 can be mounted within the cellmate mounting kit to provide an ideal solution for tank and silo weighing.

### TYPICAL SPECIFICATION

PARAMETER	VALUE	UNITS
Capacities Range	0... 300, 500, 750, 1000, 1200, 2000, 3000, 5000.	kg
Rated Output	2.0 (±0.1% RO)	mV/V
Linearity & non repeatability	0.05	±% of Rated Output
Zero Return after 30 minutes	0.03	±% of Applied Load
Zero Balance	2.0	±% of Rated Output
Temperature Range: Operating	-20 to +70	°C
Temperature Range: Compensated	-10 to +40	
Temperature Effect: On Output	0.003	±% of Rated Output/°C
Temperature Effect: On zero	0.01	±% of Rated Load/°C
Safe Overload	150	% of Rated Capacity
Ultimate Overload	300	% of Rated Capacity
Excitation: Recommended	10	Volts AC or DC
Excitation: Maximum	15	
Input Impedance	380 ±10	ohm
Output Impedance	350 ±3	ohm
Insulation Resistance	>2	GΩ at 50VDC
Deflection at Rated Capacity	N/A	mm
Weight (approximate) :	N/A	kg
Construction	Stainless Steel	
Environmental Protection	IP68	
Cable	5m 6 core screened	

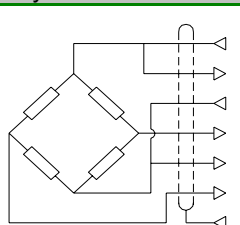
# 3510—Shear Beam Load Cell

## OUTLINE DIMENSIONS in millimeters



NOTE: If the dimensions or specifications do not suit your application, PCM have an in-house design service that should satisfy your requirements.

### WIRING DETAIL

Dynamometer	OUTPUT	CABLE
	EXCITATION+ SENSE + EXCITATION - OUTPUT+ SENSE - OUTPUT- -----	Blue Green Black White Grey Red Shield*

### LOADING MODE

