

CLS—Compression Load Cell



FEATURES

- Capacities 30—500Te
- Sealed to IP68.
- Accuracy 0.045% RO
- Custom build dimensions available.

APPLICATIONS

- Heavy Duty Weighing
- Rolling Mills.
- Industrial Platforms.
- Test Rigs.

DESCRIPTION

The C-CLS is a heavy duty column design load cell produced from stainless steel. The design includes an self aligning load button to minimise it's performance.

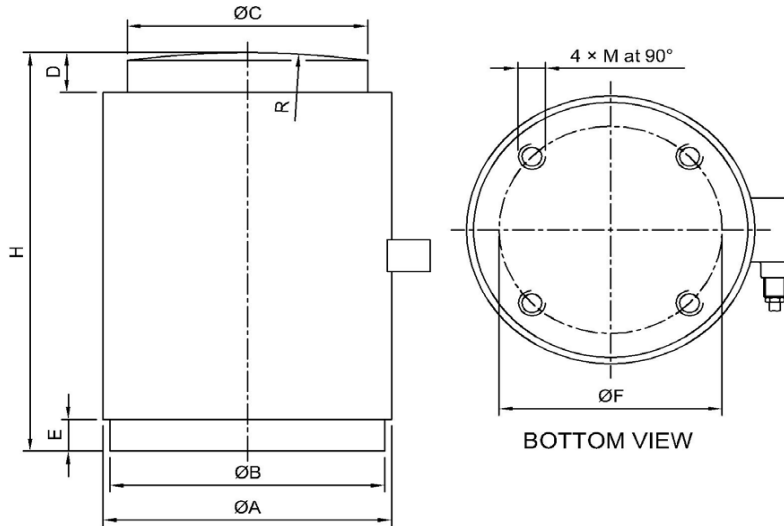
If the capacities or dimensions do not suit your requirements, PCM's in-house design and build service may be able to satisfy your requirements.

TYPICAL SPECIFICATION

| PARAMETER | VALUE | UNITS |
|--------------------------------|--------------------------------|-----------------------|
| Capacities Range | 0.. 30, 60, 100, 200, 300, 500 | Te |
| Rated Output | 2.0 nominal | mV/V |
| Linearity & non repeatability | 0.045 | ±% of Rated Output |
| Zero Return after 30 minutes | 0.036 | ±% of Applied Load |
| Zero Balance | 1.0 | ±% of Rated Output |
| Temperature Range: Operating | -20 to +70 | °C |
| Temperature Range: Compensated | -10 to +40 | |
| Temperature Effect: On Output | 0.03 | ±% of Applied Load/°C |
| Temperature Effect: On zero | 0.03 | ±% of Rated Output/°C |
| Safe Overload | 150 | % of Rated Capacity |
| Ultimate Overload | 300 | % of Rated Capacity |
| Excitation: Recommended | 10 | Volts AC or DC |
| Excitation: Maximum | 18 | |
| Input Impedance | 700 ± 2 | ohm |
| Output Impedance | 700 ± 2 | ohm |
| Insulation Resistance | >5 | GΩ at 50VDC |
| Deflection at Rated Capacity | NA | mm |
| Weight (approximate) : | NA | kg |
| Construction | Stainless steel | |
| Environmental Protection | IP68 | |
| Cable | 5m 4 core screened | |

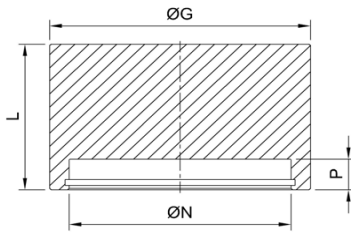
CLS—Compression Load Cell

OUTLINE DIMENSIONS in millimeters



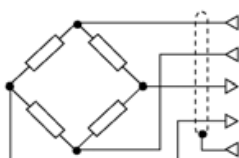
| CAPACITY | A | B | C | D | E | F | M | H | R |
|----------|-----|-----|-----|----|----|-----|-----|-----|-----|
| 0-30Te | 102 | 94 | 76 | 15 | 15 | 70 | M8 | 165 | 200 |
| 0-60Te | | | | | | | | | |
| 0-100Te | | | | | | | | | |
| 0-200Te | 129 | 122 | 106 | 20 | 20 | 90 | M12 | 215 | 350 |
| 0-300Te | | | | | | | | | |
| 0-500Te | 168 | 160 | 140 | 25 | 25 | 130 | M16 | 250 | 500 |

LOADING HEAD



| CAPACITY | G | L | N | P |
|----------|-----|-----|-----|----|
| 0-30Te | 102 | 65 | 79 | 12 |
| 0-60Te | | | | |
| 0-100Te | | | | |
| 0-200Te | 129 | 80 | 109 | 17 |
| 0-300Te | | | | |
| 0-500Te | 168 | 100 | 143 | 21 |

WIRING DETAIL

| Dynamometer | OUTPUT | CABLE |
|---|--|--|
|  | EXCITATION+ EXCITATION - OUTPUT+ OUTPUT- ----- | <i>Red</i> <i>Blue</i> <i>Green</i> <i>Yellow</i> <i>Shield*</i> |

LOADING MODE

