

## 220—Bending Ring Load Cell

### FEATURES



- Capacities 5—50Te
- Sealed to IP68.
- Accuracy 0.05% RO.

### APPLICATIONS

- Truck scales.
- Hoppers for process control.
- Tank and silo weighing.
- Harsh environment.

### DESCRIPTION

The C-220 is a low profile bending ring load cell produced from stainless steel and is a welded construction. The low profile design and low cost makes this load cell ideal for modern low profile designs for many applications.

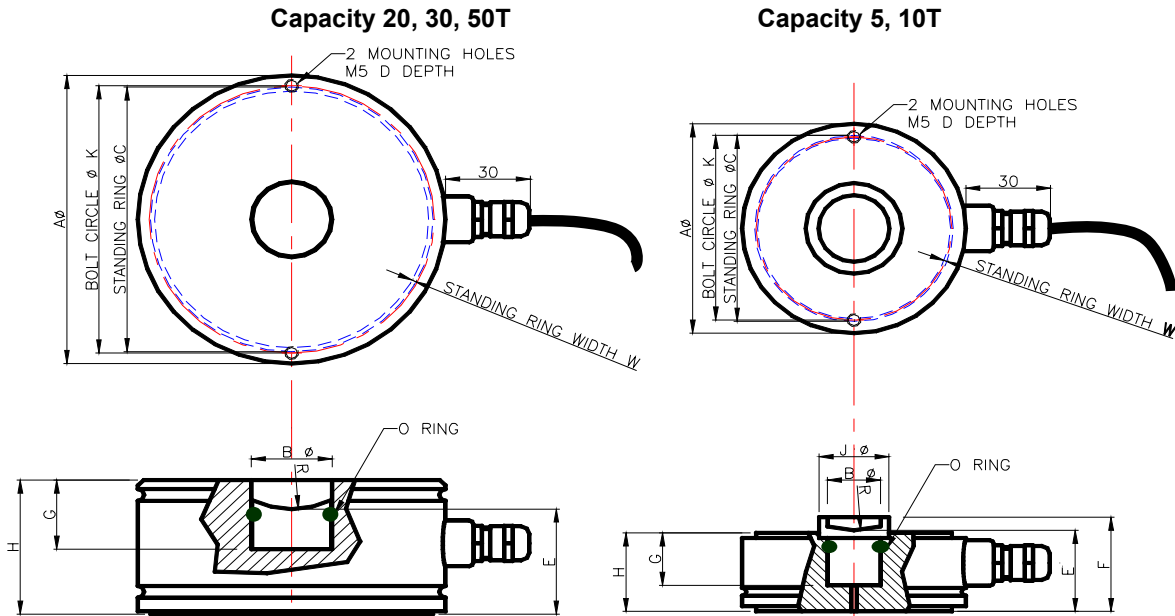
There is a special mounting kit available to maximise the load cell's performance.

### TYPICAL SPECIFICATION

PARAMETER	VALUE	UNITS
Capacities Range	0.. 5, 10, 20, 30, 50	Te
Rated Output	2.0 ±0.1	mV/V
Linearity & non repeatability	0.05	±% of Rated Output
Zero Return after 30 minutes	0.05	±% of Applied Load
Zero Balance	1.0	±% of Rated Output
Temperature Range: Operating	-30 to +70	°C
Temperature Range: Compensated	-10 to +40	
Temperature Effect: On Output	0.002	±% of Applied Load/°C
Temperature Effect: On zero	0.0028	±% of Rated Output/°C
Safe Overload	150	% of Rated Capacity
Ultimate Overload	300	% of Rated Capacity
Excitation: Recommended	10	Volts AC or DC
Excitation: Maximum	15	
Input Impedance	1065 nominal	ohm
Output Impedance	1025 nominal	ohm
Insulation Resistance	>2	GΩ at 50VDC
Deflection at Rated Capacity	NA	mm
Weight (approximate) :	NA	kg
Construction	Stainless Steel	
Environmental Protection	IP68	
Cable	5m(5T), 10m(10&20), 20m(30&50T) 6 core screened	

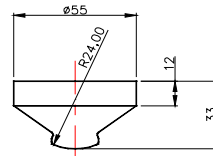
# 220—Bending Ring Load Cell

## OUTLINE DIMENSIONS in millimeters



	A	B	C	D	E	F	G	H	J	K	R	W
5T	80.0	25.4	71.0	7.0	33.4	43.4	20.0	30.0	34.6	70.0	31.0	1.0
10T	92.0	25.4	75.2	6.0	33.4	43.4	14.6	33.0	34.6	80.0	31.0	1.5
20 & 30T	110.0	28.4	101.0	7.5	39.1		26.3	50.1		102.0	31.0	1.5
50T	125.0	41.4	111.5	8.0	48.5		29.2	57.7		114.5	37.3	2.3

Load Button-required if not using the mounting kit



NOTE: If the dimensions or specification do not suit, PCM have an in-house design and build service that should satisfy your requirements.

### WIRING DETAIL

Dynamometer	OUTPUT	CABLE
	EXCITATION+ SENSE + EXCITATION - OUTPUT- SENSE - OUTPUT+	Blue Green Black Red Grey White Shield*

### LOADING MODE

