

122—Compression Load Cell



FEATURES

- Capacities 50—150Te
- Sealed to IP68.
- Accuracy 0.03% RO.

APPLICATIONS

- Truck scales, weighbridges.
- Hoppers for process control.
- Tank and silo weighing.
- Harsh environment.

DESCRIPTION

The C-122 is a heavy duty general purpose compression load cell. The simple compact design and rugged hermetically sealed construction assures its long term life in all types of field installations.

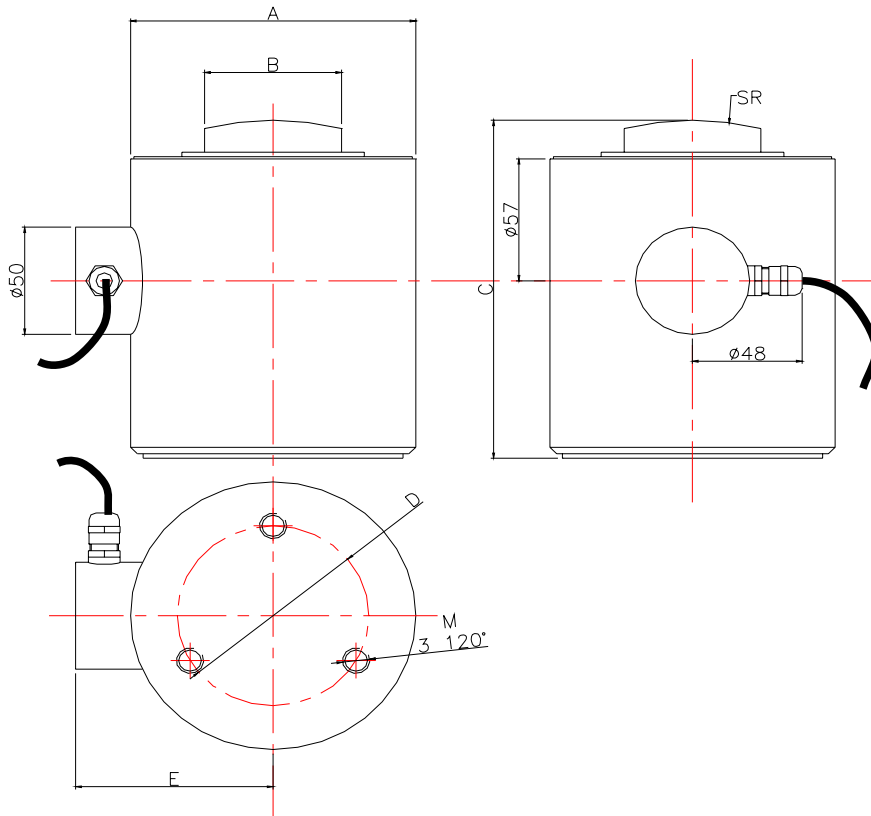
The 122 load cell is often used in multi-cell installations, therefore its standard output tolerance is within 0.1%.

TYPICAL SPECIFICATION

PARAMETER	VALUE			UNITS
	50	100	150	
Capacities Range	50	100	150	Te
Rated Output	1.5		2	mV/V
Linearity & non repeatability	0.03			±% of Rated Output
Zero Return after 30 minutes	0.05			±% of Applied Load
Zero Balance	1.5			±% of Rated Output
Temperature Range: Operating	-20 to +60			°C
Temperature Range: Compensated	+5 to +45			
Temperature Effect: On Output	0.008			±% of Applied Load/°C
Temperature Effect: On zero	0.005			±% of Rated Output/°C
Safe Overload	150			% of Rated Capacity
Ultimate Overload	200			% of Rated Capacity
Excitation: Recommended	10			Volts AC or DC
Excitation: Maximum	15			
Input Impedance	670±15	1270±20	1350±30	ohm
Output Impedance	600±5	1205±5	1205±5	ohm
Insulation Resistance	>2			GΩ at 50VDC
Deflection at Rated Capacity	<0.3			mm
Weight (approximate) :	NA			kg
Construction	Stainless steel housing, Nickel plated steel element			
Environmental Protection	IP68			
Cable	15m 6 wire PVC screened			

122—Compression Load Cell

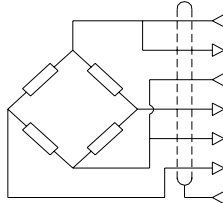
OUTLINE DIMENSIONS in millimeters



CAPACITY	A	B	C	D	E	M	SR
50T	Ø88	Ø45	122	Ø50	69	M10	35
100T,150T	Ø125	Ø59.8	158	Ø84	86.5	M12	120

NOTE: If the dimensions or specification do not suit, PCM have an in-house design and build service that should satisfy your requirements.

WIRING DETAIL

Dynamometer	OUTPUT	CABLE
	EXCITATION+	<i>Green</i>
	SENSE +	<i>Blue</i>
	EXCITATION -	<i>Black</i>
	OUTPUT+	<i>Red</i>
	SENSE -	<i>Brown</i>
	OUTPUT-	<i>White</i>
-----		<i>Shield*</i>

LOADING MODE

