

120—Compression Load Cell



FEATURES

- Capacities 5—50Te
- Sealed to IP67.
- Accuracy 0.05% RO.

APPLICATIONS

- Truck scales, weighbridges.
- Hoppers for process control.
- Tank and silo weighing.
- Harsh environment.

DESCRIPTION

The C-120 is a high capacity compression load cell produced from stainless steel housing and is a nickel plated alloy steel compression element.

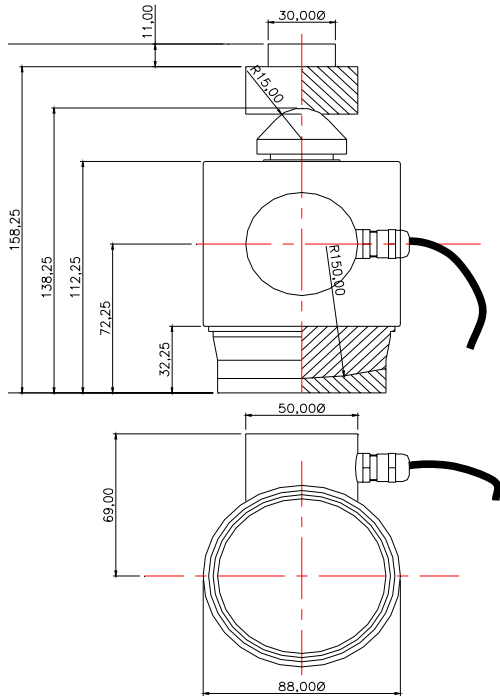
This unit is suitable for all heavy duty weighing applications and gives the user high accuracy and low installation costs.

TYPICAL SPECIFICATION

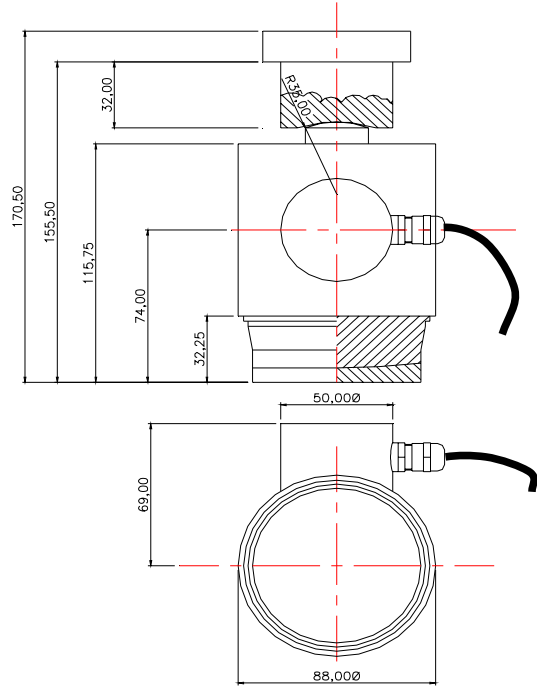
| PARAMETER | VALUE | UNITS |
|--------------------------------|--|-----------------------|
| Capacities Range | 0.. 5, 10, 20, 30, 50 | Te |
| Rated Output | 1.5 ±0.1 | mV/V |
| Linearity & non repeatability | 0.05 | ±% of Rated Output |
| Zero Return after 30 minutes | 0.05 | ±% of Applied Load |
| Zero Balance | 1.5 | ±% of Rated Output |
| Temperature Range: Operating | -20 to +70 | °C |
| Temperature Range: Compensated | -10 to +40 | |
| Temperature Effect: On Output | 0.005 | ±% of Applied Load/°C |
| Temperature Effect: On zero | 0.01 | ±% of Rated Output/°C |
| Safe Overload | 150 | % of Rated Capacity |
| Ultimate Overload | 200 | % of Rated Capacity |
| Excitation: Recommended | 10 | Volts AC or DC |
| Excitation: Maximum | 15 | |
| Input Impedance | 670 nominal | ohm |
| Output Impedance | 605 nominal | ohm |
| Insulation Resistance | >2 | GΩ at 50VDC |
| Deflection at Rated Capacity | <0.3 | mm |
| Weight (approximate) : | NA | kg |
| Construction | Stainless Steel Hsg, Nickel plated element | |
| Environmental Protection | IP67 | |
| Cable | 15m 6 wire PVC screened | |

120—Compression Load Cell

OUTLINE DIMENSIONS in millimeters



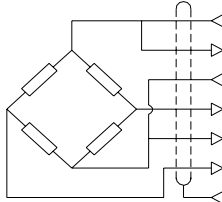
Capacity 5 - 30Te



Capacity 50Te

NOTE: If the dimensions or specification do not suit, PCM have an in-house design and build service that should satisfy your requirements.

WIRING DETAIL

| Dynamometer | OUTPUT | CABLE |
|---|--|---|
|  | EXCITATION+ SENSE + EXCITATION - OUTPUT+ SENSE - OUTPUT- ----- | <i>Green</i> <i>Blue</i> <i>Black</i> <i>Red</i> <i>Brown</i> <i>White</i> <i>Shield*</i> |

LOADING MODE

