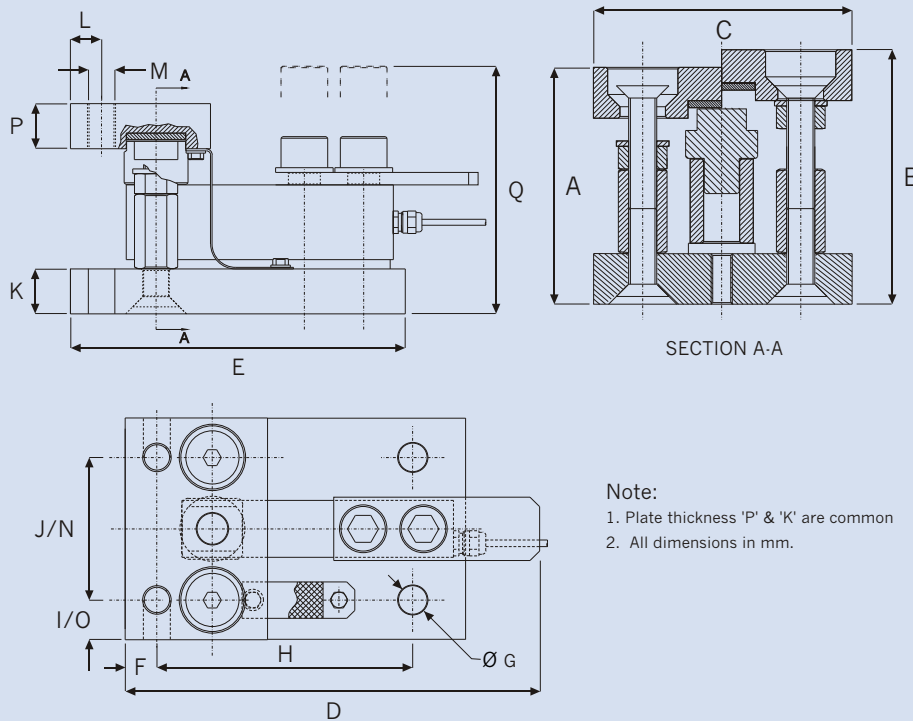


Cellmates SPECIFICATION

Load Cell Type		355	3410/3510		
<i>Max. capacity Tonne</i>		0.5	2	5	
BASE PLATE	A Height (Weighing Position)	80	100	135	
	B Height (Service Position)	86	108	143	
	C Width (Ref)	102	111	153	
	D Length (Overall)	183	217	263	
	E Length (Ref)	133	166	216	
	F Hole Centre to Edge	42	15	20	
	G Hole Diameters	11.0	14.0	18.0	
	H Hole Centres	76	130	162	
	I Hole Centres to Edge	16	15	31.5	
	J Hole Centres	70	70	90	
	K Plate Thickness	15	24	29	
	TOP PLATE	L Hole Centre to Edge	42	15	20
		M Tapped Holes	M12	M16	M16
		N Hole Centres	70	70	90
O Hole Centre to Edge		16	20.5	31.5	
P Plate Thickness		15	24	29	
Q Clearance Load Cell Removal		78	111	159	

DETAILS ON APPLICATION



Note:

1. Plate thickness 'P' & 'K' are common
2. All dimensions in mm.